

April 2016

**Handles a Wide Array of Instrumentation**

The **D-BOX®** accommodates temperature, pressure, level and flow transmitters, meters, indicators, analyzers, integrators, and many other head-mount and hockey-puck instruments.

**For Hazardous and General Locations**

The **D-BOX** meets standards for enclosing indoor and outdoor electronic instruments approved for use in:

U.S. Practice	Division	European Practice	Zone
Intrinsically-Safe	1, 2	Ex "ia" (I.S. "a")	0, 1, 2
Non-Incendive	2	Ex "ib" (I.S. "b")	1, 2

**Safeguards Expensive Instruments**

Designed to meet Type 4X, IP66 ratings, the **D-BOX** is resistant to ultraviolet rays and chemicals. Its high-impact materials protect instruments even when they must be installed in harsh field conditions.

**Replaces Costly Explosion-Proof Enclosures**

At a fraction of the cost, the **D-BOX** provides the right level of protection in areas where explosion-proof certifications are not required.

**Clear and Solid Covers**

Instrument indicators, such as process displays and alarm LEDs, can be clearly viewed without removing the **D-BOX** front cover. The solid cover is the answer for non-indicating instruments.

**Single and Multiple Instrument Models**

The high body **D-BOX** handles high profile instruments, or an instrument and indicator mounted "piggyback". Low body models are ideal for low profile instruments.

**Standard Entry Ports and Fittings**

The **D-BOX** is available with single and dual entry ports, and with standard conduit fittings. Models without entry ports and conduit fittings are also available.

**Surface and Pipe Mount Installation**

Lightweight and easy to install, the **D-BOX** conveniently installs on a surface or 2-inch pipe.

**Custom Brackets for OEM Applications**

Our team of engineers will work with you to design and provide any special installation hardware that may be required to integrate your instrument into the **D-BOX**.



*Low Body  
Clear Cover*

U.S. Patent No. D395831. D-Box is a registered trademark of Moore Industries-International, Inc.

# D-BOX<sup>®</sup>

Field-Mount Enclosure for  
Head-Mount & Hockey-Puck Instruments

## Specifications

<b>Body</b>	Copper-free aluminum with TGIC Polyester powdercoat	<b>Conduit Fittings</b>	<b>U.S. Standard:</b> 1/2-14 NPT female (die cast zinc) <small>*Other conduit fitting types and materials are available. Consult the factory for details.</small>	<b>Weight</b>	<b>Low Body (without conduit fittings):</b> 510 g (1lb, 2 oz) <b>High Body (without conduit fittings):</b> 794 g (1 lb, 12 oz)
<b>Cover and Bezel</b>	Polycarbonate (flame retardant to UL V-O and U.V. stabilized for extended outdoor use)	<b>Tag</b>	Anodized aluminum	<b>Standard Conduit Fitting:</b>	85 g each (3 oz each)
<b>Body Screws</b>	Stainless steel	<b>Pipe Mount Hardware</b>	Saddle and U-bolt (zinc-plated CRS) for mounting on a standard 2-inch pipe	<b>2-inch Pipe Mount Hardware:</b>	142 g (5 oz)
				<b>FM:</b>	NEMA 4X IP66

## How to Order

Enclosure	Number of Entry Ports and Conduit Fitting Type	Body Height	Cover Type	Options
<b>D D-BOX</b> field-mount enclosure for head-mount and hockey-puck instruments	<b>1</b> One entry port with 1/2-inch NPT female conduit fitting <b>2</b> Two entry ports with 1/2-inch NPT female conduit fittings <b>0</b> Enclosure is supplied without drilled entry ports and without conduit fittings (specify for applications where installer will drill entry ports and supply conduit fittings) <b>NOTE:</b> Other entry port options (such as drilled entry ports without conduit fittings) and conduit fitting types are available. Consult the factory for details.	<b>L</b> Low body for a low profile instrument <b>H</b> High body for a high profile instrument or dual instruments	<b>S</b> Solid cover for non-indicating instruments <b>C</b> Clear cover for indicating instruments	<b>P</b> Hardware for mounting the <b>D-BOX</b> on a standard 2-inch pipe <small>*P Pipe mounting hardware not required</small>

When ordering the **D-BOX** housing without instrumentation or as part of a line item order, specify:

Enclosure / Number of Entry Ports and Conduit Fitting Type / Body Height / Cover Type [Options]

Model number example:

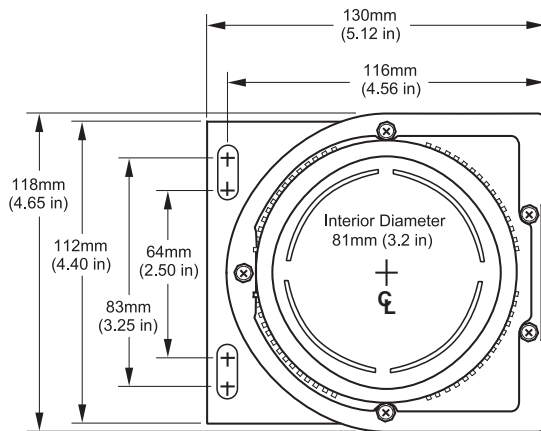
D-BOX / 2 / L / C [P]

When ordering the **D-BOX** housing as part of a transmitter order (such as a TDZ<sup>3</sup>), place this condensed model number (with brackets or strokes removed) within brackets at the end of the transmitter model number or refer to the transmitter data sheet (use D for D-BOX):

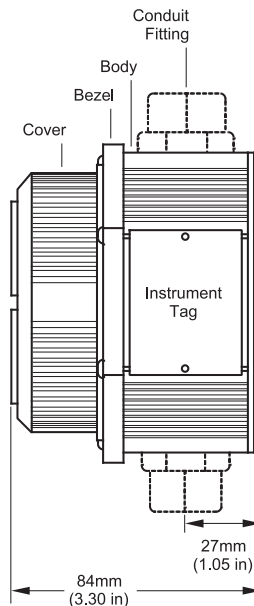
Model number example:

TDZ3 / TPRG / 4-20MA / 12-42DC [D2LCP]

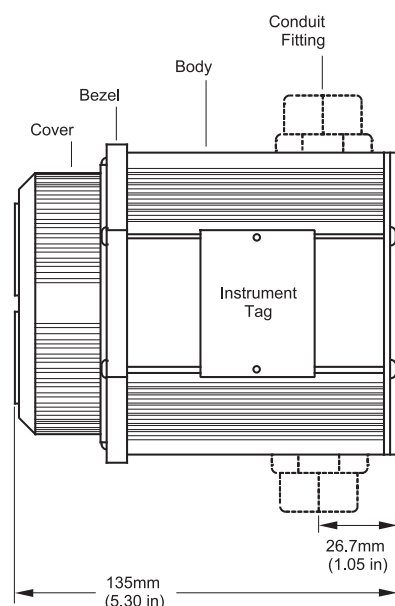
## Installation and Mounting Dimensions



Low Body and High Body  
Front View



Low Body Side View



High Body Side View



Demand Moore Reliability • [www.miinet.com](http://www.miinet.com)

United States • [info@miinet.com](mailto:info@miinet.com)  
Tel: (818) 894-7111 • FAX: (818) 891-2816  
Australia • [sales@mooreind.com.au](mailto:sales@mooreind.com.au)  
Tel: (02) 8536-7200 • FAX: (02) 9525-7296

Belgium • [info@mooreind.be](mailto:info@mooreind.be)  
Tel: 03/448.10.18 • FAX: 03/440.17.97  
The Netherlands • [sales@mooreind.nl](mailto:sales@mooreind.nl)  
Tel: (0)344-617971 • FAX: (0)344-615920

China • [sales@mooreind.sh.cn](mailto:sales@mooreind.sh.cn)  
Tel: 86-21-62491499 • FAX: 86-21-62490635  
United Kingdom • [sales@mooreind.com](mailto:sales@mooreind.com)  
Tel: 01293 514488 • FAX: 01293 536852